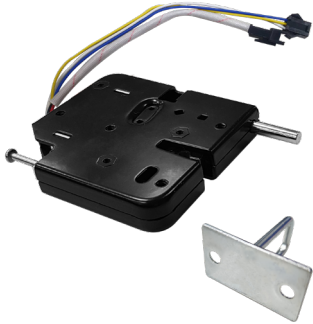


Contents

AR-1213P

1 Product



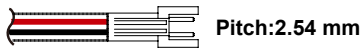
Specification

- Voltage : 12V
- Working Current: 2A
- Power Consumption: 24W
- Duty Cycle: 10% (Power-on time for unlocking is 0.2 secs and power-off time is 1.8 secs)
- Type : Fail-Secure
- Cycle Time : 500,000 times
- Yield Strength: approx. 65 N/mm² (7KG/mm²)
- Pin Length : 20 mm
- Dimension : 73(H)x14(W)x67(D)(mm)
- Weight : approx. 185 (g)
- Temperature : -20°C ~ +55°C

Features

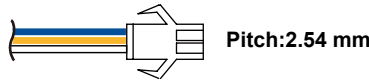
- The AR-1213P electric cabinet lock is a perfect design for cabinets having either swing or sliding doors. The cabinet lock can be surface mounted either vertically or horizontally and offers maximum flexibility for ease of installation.
- AR-1213P can also controlled by any existing access control system with multiple cabinet applications such as mail-box and club lockers.

Connector Table



SM Male connector 2PIN

Application	Wire	Color	Description
Power	1	Black	DC 0V(GND)
	2	Red	DC 12V



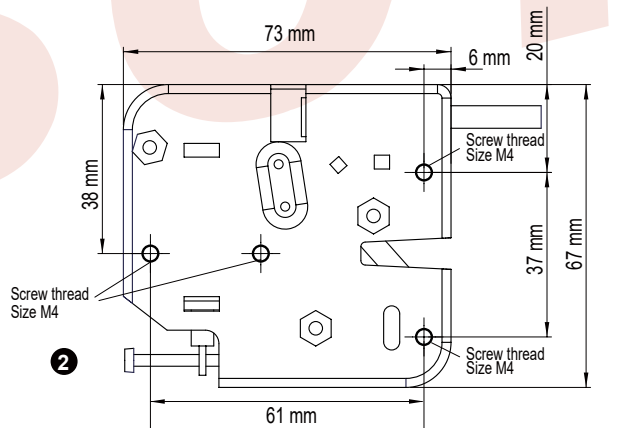
SM female connector 3PIN

Application	Wire	Color	Description
Lock cylinder Status	1	Blue	N.O.
	2	Yellow	N.C.
	3	White	COM

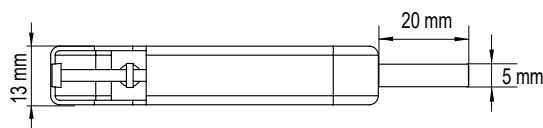
- Open circuit when unlocked.
- Short circuit when latched.

Dimension

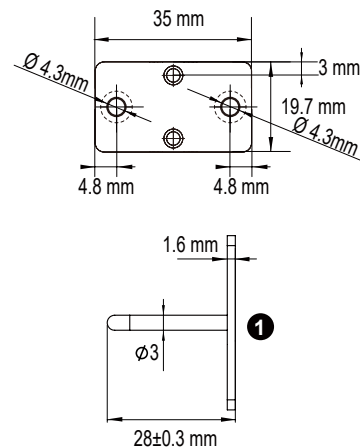
• Front View



• Top View



• Side View



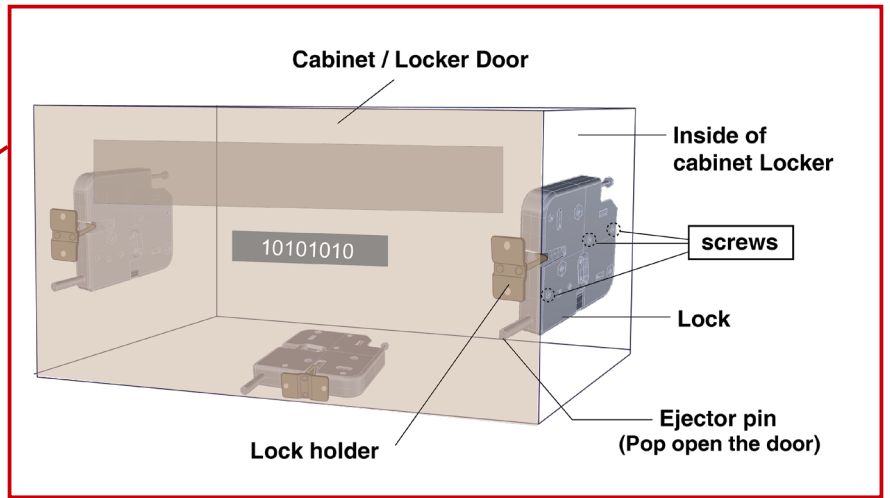
• Operation:

- 1 Install lock holder on the door of cabinet/locker.
- 2 Once triggered, the lock bolt will reach out to pop open the door.

Application

• **Mailbox application**

The cabinet lock can be surface mounted either vertically or horizontally and offers maximum flexibility for ease of installation.

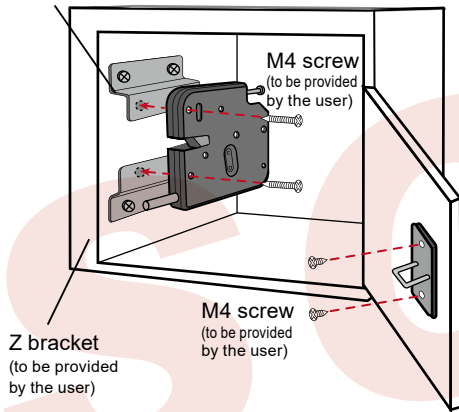


Installation Instruction

Method ① :

Prepare a Z bracket by yourself and secure the lock onto the bracket.

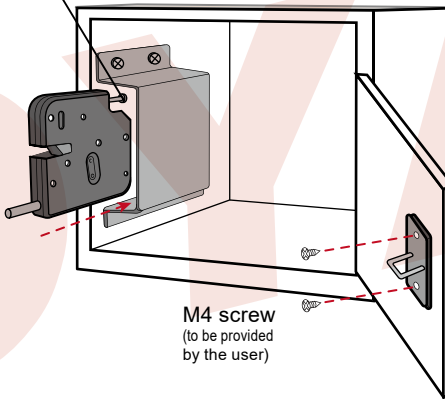
Z bracket (to be provided by the user)



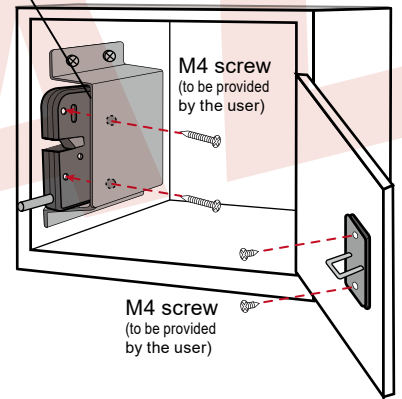
Method ② :

Prepare the installation box by yourself and follow the installation steps below to secure the lock onto the mailbox.

Installation box (to be provided by the user)



Installation box (to be provided by the user)



Emergency unlocking during power outage

• **Operating steps:**

① Insert a hex key through the mail slot into the mailbox.

② Triggering the "Emergency door release lever" downward will disengage the door latch on the door panel, opening the cabinet door.

