

Product

AR-321CM



USB to RS-485
(Non-isolation USB/485 Converter)

Notice:

Before connect to your computer, please must install USB driver from SOYAL CD or from SOYAL website (<http://www.soyal.com>)

AR-701CM



RS-232 to RS-485
(Non-isolation 232/485 Converter)

- Automatic Control of Data Direction
- RS-232 power supplied from DTR, RTS (Active Need)
- Up to 32 units in RS-485 multi-drop operation
- Surge protection: 8 KV
- Optical isolation: 2 KV

Specification

Product	AR-321CM	AR-701CM
Converting Interface	USB/RS-485	RS-232/RS-485
Voltage	5 VDC	9~16 VDC
Baud Rate	4800 bps~115200 bps	4800 bps~115200 bps
Power Consumption	< 1W	< 1W
Operation Temperature	-20°C to +70°C	-20°C to +70°C
Active Distance	300M [RS-485]	2M [RS-232]/300M[RS-485]
Optical Isolation	2.5KV	2KV
Surge Protection	3KV	8KV
Electrical Isolation	2500V RMS	
Dimension(cm)	76L x 37W x 16.4H	64L x 55W x 16H
N.W.(g)	60±5	40±5

PIN Define

AR-321CM

RS-485 Interface

PIN	06	05
Description	B (-)	A (+)

USB Interface

PIN	1(Red)	2(White)	3(Green)	4(Black)
Description	VDC	D-	D+	GND

AR-701CM

RS-485 DB-25 Male Side

PIN	7(Black)	13(Red)	16(Blue)	17(Green)
Description	GND	VDC	A (+)	B (-)

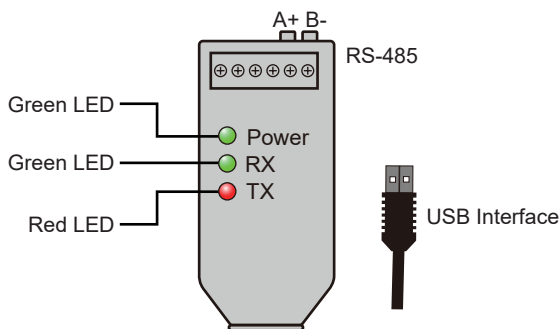
RS-232 DB-25 Femal Side

PIN	2	3	4	5	6	7	20
PC	TX	RX	RTS	CTS	DSR	GND	DTR
Description	Data In	Data Out	Power Source				Power Source

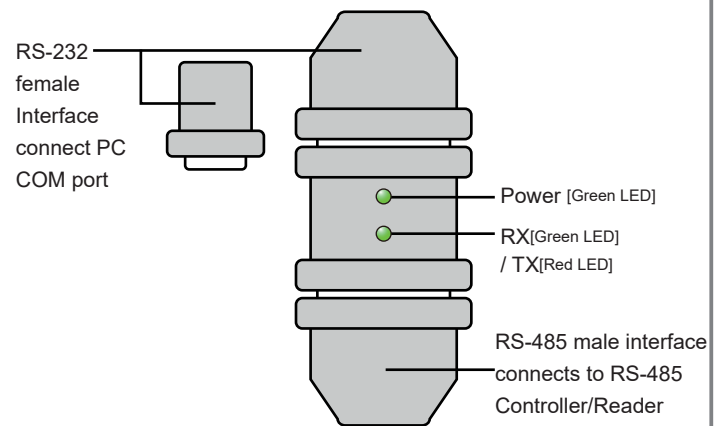
Indicators

AR-321CM

1. Power LED will keep lighting up in green after USB plugged.
2. RX flashing means data is receiving from RS-485 to USB.
3. TX flashing means data is transmitting from USB to RS-485.

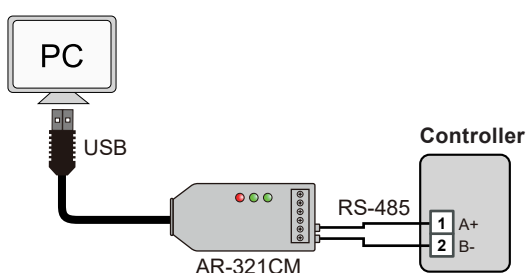


AR-701CM



Installation

AR-321CM



AR-701CM

